

Return filters

# MPTX 116

Maximum working pressure up to 800 kPa (8 bar) - Flow rate up to 300 l/min



**PASSION TO PERFORM**



# MPTX 116 GENERAL INFORMATION

## Technical data

### Return filter

**Maximum working pressure up to 800 kPa (8 bar)**  
**Flow rate up to 300 l/min**

MPTX is a range of return filters with integrated breather filter, for protection of the reservoir against the system contamination. They are directly fixed to the reservoir, in immersed or semi-immersed position. The filter output must be always immersed into the fluid to avoid aeration or foam generation into the reservoir.

#### Available features:

- Female threaded connections up to 1 1/4", for a maximum flow rate of 300 l/min
- Multiple connections, to connect several return lines or drains
- Fine filtration rating, to get a good cleanliness level into the reservoir
- Bypass valve integrated into the filter element, to relieve excessive pressure drop across the filter media
- 2, 4 or 6 fixing holes for installation, to meet any reservoir surface flatness and roughness
- O-ring or Flat seal, to meet any reservoir surface flatness and roughness
- Screw-in cover with a special shape, to allow the filter element replacement without the use of specific tools
- Oil dipstick, to easily check the level of the fluid into the reservoir (sold as separate item)
- Extension tube, to be used in deep reservoirs (sold as separate item)
- Diffuser, to reduce the risk of aeration, foaming and noise (sold as separate item)
- Integrated breather filter, to clean the air that moves into the reservoir as result of the oil level fluctuation
- Integrated breather filter with pressurization valve, to clean the air that moves into the reservoir as result of the oil level fluctuation and to guarantee the pressurization into the reservoir
- Visual, electrical and electronic clogging indicators
- MYclean interface connection, to protect the product against non-original spare parts
- External protective wrap, to optimize the flow through the element and to save the element efficiency against non-proper handling

#### Common applications:

- Light industrial equipment
- Mobile application

### Filter housing materials

- Head: Aluminium
- Cover: Polyamide
- Bowl: Polyamide

### Bypass valve

- Opening pressure 175 kPa (1.75 bar)  $\pm 10\%$
- Opening pressure 300 kPa (3 bar)  $\pm 10\%$

### $\Delta p$ element type

- Microfibre filter elements - series H: 10 bar
- Fluid flow through the filter element from OUT to IN

### Seals

- Standard NBR series A
- Optional FPM series V

### Temperature

From -25 °C to +110 °C

### Note

MPTX filters are provided for vertical mounting



## Weights [kg] and volumes [dm<sup>3</sup>]

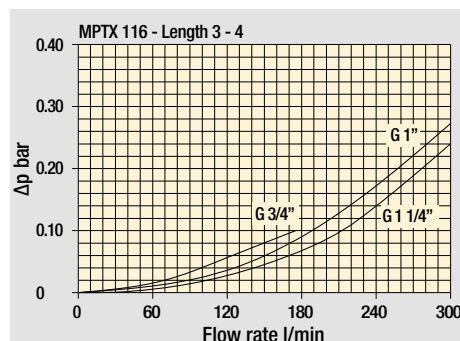
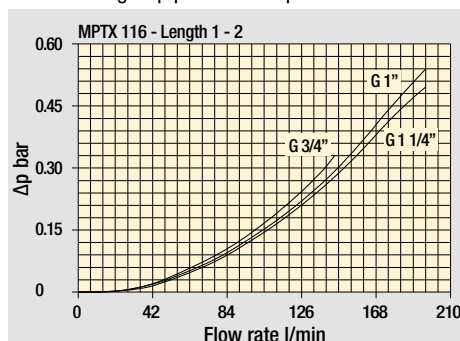
	Weights [kg]				Volumes [dm <sup>3</sup> ]					
	Length	1	2	3	4	Length	1	2	3	4
<b>MPTX 116</b>		1.10	1.15	1.25	1.50		0.72	0.93	1.28	1.74

## Hydraulic symbols

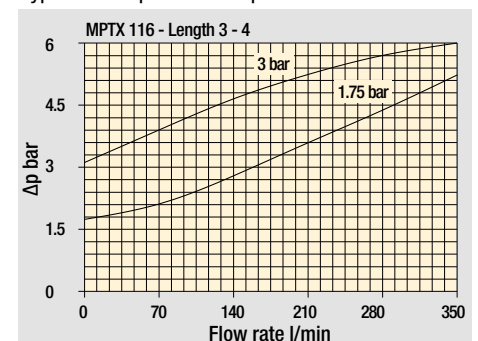
Filter series	Style 1 connection
<b>MPTX 116</b>	●

## Pressure drop

### Filter housings $\Delta p$ pressure drop



### Bypass valve pressure drop



The curves are plotted using mineral oil with density of 0.86 kg/dm<sup>3</sup> in compliance with ISO 3968.  $\Delta p$  varies proportionally with density.

# FILTER SIZING

**THE CORRECT FILTER SIZING HAVE TO BE BASED ON THE TOTAL PRESSURE DROP DEPENDING BY THE APPLICATION.**

**THE MAXIMUM TOTAL PRESSURE DROP ALLOWED BY A NEW AND CLEAN RETURN FILTER HAVE TO BE IN THE RANGE 0.4 ÷ 0.6 bar.**

The pressure drop calculation is performed by adding together the value of the housing with the value of the filter element. The pressure drop  $\Delta p_c$  of the housing is proportional to the fluid density ( $\text{kg}/\text{dm}^3$ ); all the graphs in the catalogue are referred to mineral oil with density of  $0.86 \text{ kg}/\text{dm}^3$ .

The filter element pressure drop  $\Delta p_e$  is proportional to its viscosity ( $\text{mm}^2/\text{s}$ ), the corrective factor Y have to be used in case of an oil viscosity different than  $30 \text{ mm}^2/\text{s}$  (cSt).

### Sizing data for single filter element, head at top

$\Delta p_c$  = Filter housing pressure drop [bar]

$\Delta p_e$  = Filter element pressure drop [bar]

Y = Corrective factor Y (see correspondent table), depending on the filter type, on the filter element size, on the filter element length and on the filter media

Q = flow rate (l/min)

V1 reference oil viscosity =  $30 \text{ mm}^2/\text{s}$  (cSt)

V2 = operating oil viscosity in  $\text{mm}^2/\text{s}$  (cSt)

### Filter element pressure drop calculation with an oil viscosity different than $30 \text{ mm}^2/\text{s}$ (cSt)

$$\Delta p_e = Y : 1000 \times Q \times (V2:V1)$$

$$\Delta p_{\text{Tot.}} = \Delta p_c + \Delta p_e$$

### Verification formula

$$\Delta p_{\text{Tot.}} \leq \Delta p_{\text{max allowed}}$$

### Maximum total pressure drop ( $\Delta p_{\text{max}}$ ) allowed by a new and clean filter

Application	Range (bar)
Suction filters	0.08 ÷ 0.10
Return filters	0.4 ÷ 0.6
Low & Medium Pressure filters	0.4 ÷ 0.6 return lines
	0.3 ÷ 0.5 lubrication lines
	0.3 ÷ 0.4 off-line in power systems
	0.1 ÷ 0.3 off-line in test benches
0.4 ÷ 0.6 over-boost	
High Pressure filters	0.8 ÷ 1.5
Stainless Steel filters	0.8 ÷ 1.5

### MPTX calculation example

Application data:

Tank top return filter

Pressure  $P_{\text{max}} = 8 \text{ bar}$

Flow rate  $Q = 120 \text{ l}/\text{min}$

Viscosity  $V2 = 46 \text{ mm}^2/\text{s}$  (cSt)

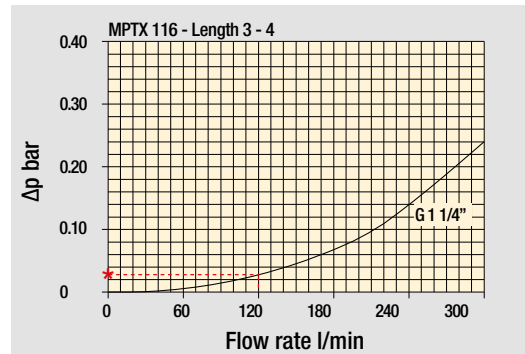
Oil density =  $0.86 \text{ kg}/\text{dm}^3$

Required filtration efficiency =  $25 \mu\text{m}$  with absolute filtration

With bypass valve and G1 1/4" inlet connection

Calculation:

$\Delta p_c = 0.03 \text{ bar}$  (see graphic below)



Filter housings  $\Delta p$  pressure drop.

The curves are plotted using mineral oil with density of  $0.86 \text{ kg}/\text{dm}^3$  in compliance with ISO 3968.  $\Delta p$  varies proportionally with density.

$$\Delta p_e = (2.50 : 1000) \times 120 \times (46 : 30) = 0.46 \text{ bar}$$

### MPTX corrective factor

Corrective factor Y to be used for the filter element pressure drop calculation.

The values depend to the filter size and length and to the filter media.

Reference oil viscosity  $30 \text{ mm}^2/\text{s}$

Filter element	Absolute filtration H Series					Nominal filtration N Series			
	A03	A06	A10	A16	A25	P10	P25	M25 M60 M90	
MFX 100	1	28.20	24.40	8.67	8.17	6.88	4.62	3.96	1.25
	2	17.33	12.50	6.86	5.70	4.00	3.05	2.47	1.10
	3	10.25	9.00	3.65	3.33	2.50	1.63	1.32	0.96
	4	6.10	5.40	2.30	2.20	2.00	1.19	0.96	0.82

$$\Delta p_{\text{Tot.}} = 0.03 + 0.46 = 0.49 \text{ bar}$$

The selection is correct because the total pressure drop value is inside the admissible range for tank top return filters.

In case the allowed max total pressure drop is not verified, it is necessary to repeat the calculation changing the filter size.

Flow rates [l/min]

Filter series	Length	Filter element design - H series					Filter element design - N series		
		A03	A06	A10	A16	A25	M25 M60 M90	P10	P25
MPTX 116	1	18	20	53	56	65	153	87	96
	2	28	38	65	75	95	158	111	123
	3	48	55	125	135	169	289	224	251
	4	79	89	180	185	198	306	264	289

### Maximum flow rate for a complete return filter with a pressure drop $\Delta p = 0.5 \text{ bar}$ .

Connections of filter under test: G 1 1/4"

The reference fluid has a kinematic viscosity of  $30 \text{ mm}^2/\text{s}$  (cSt) and a density of  $0.86 \text{ kg}/\text{dm}^3$ .

For different pressure drop or fluid viscosity we recommend to use our selection software available on [www.mpfiltri.com](http://www.mpfiltri.com).

Please, contact our Sales Department for further additional information.



# MPTX 116

## Designation & Ordering code

### COMPLETE FILTER

<b>Series and size</b>	Configuration example 1:	MPTX116	1	S	A	G1	M90	E	P01
<b>MPTX116</b> Filter element with private spigot	Configuration example 2:	MPTX116	2	S	Z	G9	A03	B	P01

<b>Length</b>	
1   2   3   4	

<b>Air breather</b>	
S Without air breather	

Seals and treatments	Filtration rating		
	Axx	Mxx	Pxx
A NBR	•	•	•
V FPM	•	•	•
W NBR head anodized	•	•	
Z FPM head anodized	•	•	

filter element compatible with fluids HFA-HFB-HFC

Flat seal on the head on request

<b>Connections</b>	
G1 G 3/4"	G6 1 1/4" NPT
G2 G 1"	G7 SAE 12 - 1 1/16" - 12 UN
G3 G 1 1/4"	G8 SAE 16 - 1 5/16" - 12 UN
G4 3/4" NPT	G9 SAE 20 - 1 5/8" - 12 UN
G5 1" NPT	

<b>Filtration rating (filter media)</b>	
A03 Inorganic microfiber 3 µm	M25 Wire mesh 25 µm
A06 Inorganic microfiber 6 µm	M60 Wire mesh 60 µm
A10 Inorganic microfiber 10 µm	M90 Wire mesh 90 µm
A16 Inorganic microfiber 16 µm	P10 Resin impregnated paper 10 µm
A25 Inorganic microfiber 25 µm	P25 Resin impregnated paper 25 µm

<b>Bypass valve</b>	<b>Execution</b>
E 3 bar	P01 MP Filtri standard
B 1.75 bar	Pxx Customized

### FILTER ELEMENT

<b>Element series and size</b>	Configuration example 2:	MFx100	1	M90	N	B	E	P01
<b>MFx100</b> Filter element with private spigot	Configuration example 1:	MFx100	2	A03	W	V		P01

<b>Element length</b>	
1   2   3   4	

<b>Filtration rating (filter media)</b>	
A03 Inorganic microfiber 3 µm	M25 Wire mesh 25 µm
A06 Inorganic microfiber 6 µm	M60 Wire mesh 60 µm
A10 Inorganic microfiber 10 µm	M90 Wire mesh 90 µm
A16 Inorganic microfiber 16 µm	P10 Resin impregnated paper 10 µm
A25 Inorganic microfiber 25 µm	P25 Resin impregnated paper 25 µm

Element Δp	Filter media		
	Axx	Mxx	Pxx
N 10 bar		•	•
H 10 bar	•		
W 10 bar, compatible with fluids HFA, HFB and HFC	•	•	

<b>Seals</b>	<b>Bypass valve</b>	<b>Execution</b>
B NBR	E 3 bar	P01 MP Filtri standard
V FPM	1.75 bar	Pxx Customized

### ACCESSORIES

<b>Indicators</b>	
BVA Axial pressure gauge	
BVR Radial pressure gauge	
BVP Visual pressure indicator with automatic reset	
BVQ Visual pressure indicator with manual reset	

BEA Electrical pressure indicator	
BEM Electrical pressure indicator	
BLA Electrical / visual pressure indicator	

<b>Additional features</b>	
TE Extension tube	
DFS Diffuser with fast lock connection	

DPT Dipstick	
--------------	--

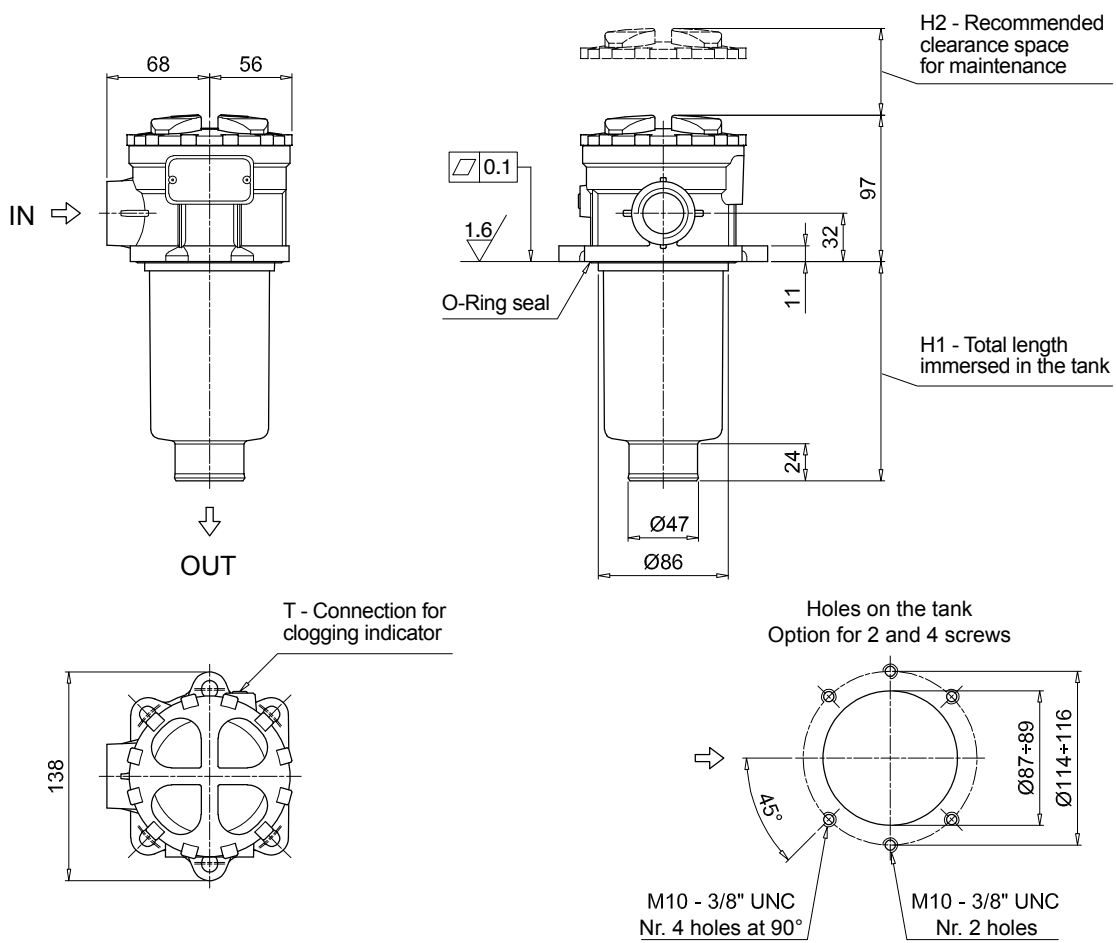
# MPTX 116

## Dimensions

### MPTX116

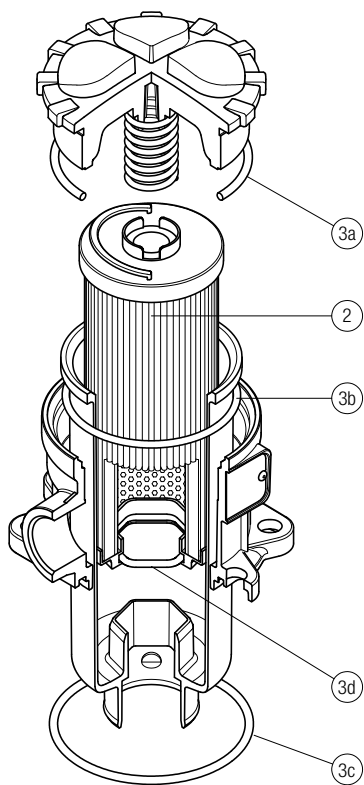
Filter length	H1 [mm]	H2 [mm]
<b>1</b>	99	120
<b>2</b>	146	170
<b>3</b>	224	250
<b>4</b>	326	350

Connections	T
<b>G1-G2-G3</b>	G 1/8"
<b>G4-G5-G6-G7-G8-G9</b>	1/8" NPT



# MPTX 116 SPARE PARTS

Order number for spare parts



Item:	Q.ty: 1 pc.	Q.ty: 1 pc.	
Filter series	Filter element	Seal Kit code number	
		NBR	FPM
MPTX 116	See order table	02050737	02050738

All data, details and words contained in this publication are provided for information purposes only.  
MP Filtri reserves the right to make modifications to the models and versions of the described products  
at any time for both technical and / or commercial reasons.  
The colors and the pictures of the products are purely indicative.  
Any reproduction, partial or total, of this document is strictly forbidden.  
All rights are strictly reserved.





## WORLDWIDE NETWORK

### HEADQUARTERS

**MP Filtri S.p.A.**  
Pessano con Bornago  
Milano  
Italy  
[sales@mpfiltri.com](mailto:sales@mpfiltri.com)

### BRANCH OFFICES

**ITALFILTRI LLC**  
Moscow  
Russia  
[mpfiltrirussia@yahoo.com](mailto:mpfiltrirussia@yahoo.com)

**MP Filtri SEA PTE Ltd.**  
Singapore  
[sales-sea@mpfiltri.com](mailto:sales-sea@mpfiltri.com)

**MP Filtri Canada Inc.**  
Concord, Ontario  
Canada  
[sales@mpfiltricanada.com](mailto:sales@mpfiltricanada.com)

**MP Filtri (Shanghai) Co., Ltd.**  
Shanghai  
P.R. China  
[sales@mpfiltrishanghai.com](mailto:sales@mpfiltrishanghai.com)

**MP Filtri France SAS**  
Lyon  
AURA  
France  
[sales@mpfiltrifrance.com](mailto:sales@mpfiltrifrance.com)

**MP Filtri U.K. Ltd.**  
Vale Park  
Evesham  
United Kingdom  
[sales@mpfiltri.co.uk](mailto:sales@mpfiltri.co.uk)

**MP Filtri Germany GmbH**  
St. Ingbert  
Germany  
[sales@mpfiltri.de](mailto:sales@mpfiltri.de)

**MP Filtri U.S.A. Inc.**  
Quakertown, PA  
U.S.A.  
[sales@mpfiltriusa.com](mailto:sales@mpfiltriusa.com)

**MP Filtri India Pvt. Ltd.**  
Bangalore  
India  
[sales@mpfiltri.co.in](mailto:sales@mpfiltri.co.in)

**MP Filtri Middle East FZCO**  
Dubai  
U.A.E.  
[sales-me@mpfiltri.com](mailto:sales-me@mpfiltri.com)

**PASSION TO PERFORM**



[mpfiltri.com](http://mpfiltri.com)