

# TKT - TSD - TKM series

Filler and draining plugs



## Technical data

### Filler and draining plugs

#### Polyamide filler plug

TKT is a range of polyamide compact filler plugs for filling of the fluid into the systems during the commissioning and maintenance procedures. They are directly fitted on the tank.

#### Available features:

- Male threaded connections up to G 2"
- Breathing hole, to reduce the pressure inside the filter during the maintenance operations
- Caps with different graphics and colours, for the use in several applications
- Dipstick, to monitor the fluid level into the tank even in complicated positions
- Antisplash, to avoid fluid coming out through the air breather due to sloshing
- Labyrinth filter, to avoid fluid coming out through the air breather due to sloshing

#### Common applications:

- Hydraulic systems
- Mobile machines
- Industrial equipment

#### Materials

- Body: Polyamide
- Seals: NBR, Inorganic fibre
- Labyrinth: Polyamide
- Anti-splash feature: Resin impregnated paper
- Dipstick: Phosphatized steel

#### Temperature

From -25 °C to +100 °C

#### Weight

TKTG 13	5 g
TKTG 16	8 g
TKTG 20	10 g
TKTG 26	15 g
TKTG 33	30 g
TKTG 42	32 g
TKTG 60	35 g

#### Quantity

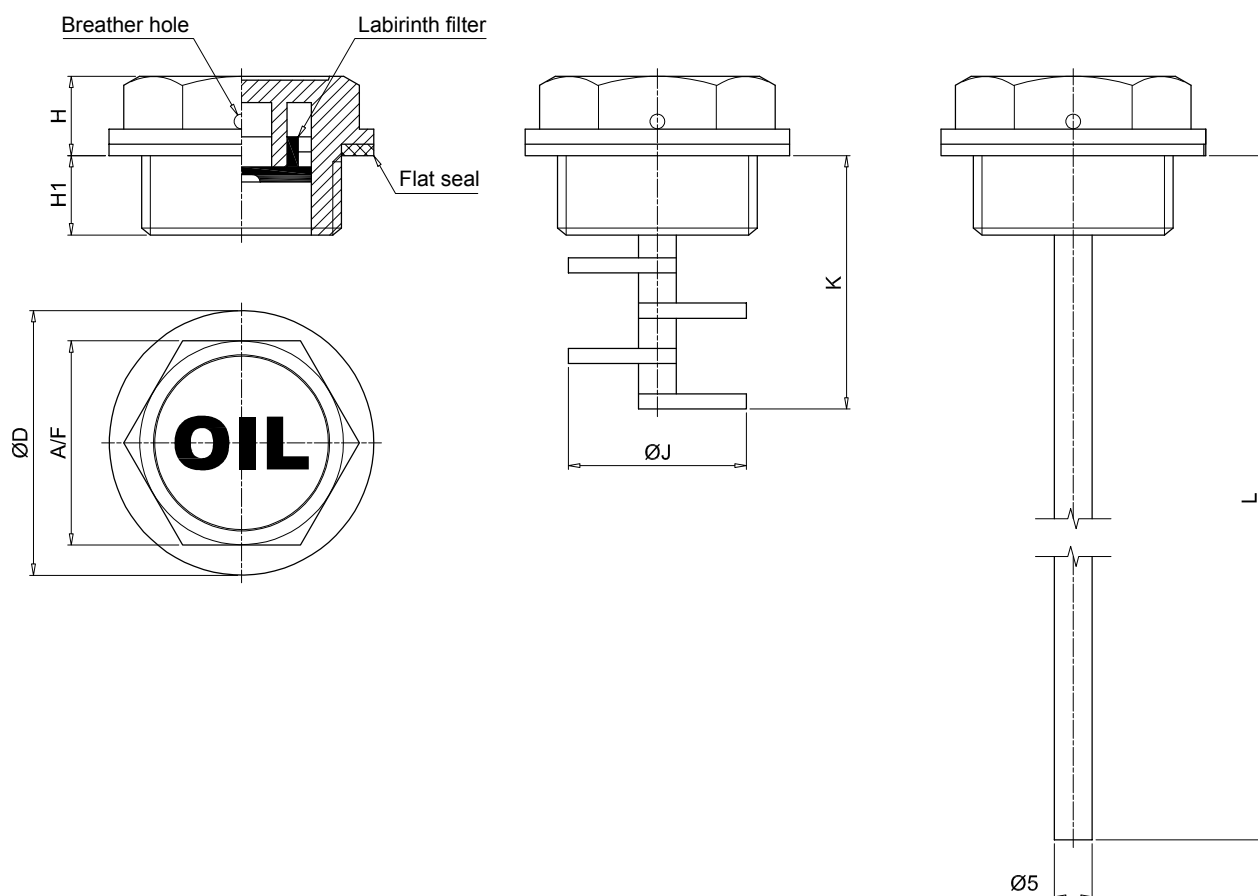
25 pcs/pack



## Designation & Ordering code

### COMPLETE FILLER PLUG

<b>Series</b> TKT	Configuration example : TKT G26 N N A F S P01									
<b>Connections</b>	S	A	F	L						
<b>G13</b> G 1/4"	•	•		•						
<b>G16</b> G 3/8"	•	•	•	•						
<b>G20</b> G 1/2"	•	•	•	•						
<b>G26</b> G 3/4"	•	•	•	•						
<b>G33</b> G 1"	•	•	•							
<b>G42</b> G 1 1/4"	•	•	•							
<b>G48</b> G 1 1/2"	•	•	•							
<b>G60</b> G 2"	•	•								
<b>Colour</b> N Black polyamide										
<b>Cover wording</b> O Oil	N Neutral									
<b>Seals</b>	S	A	F	L						
<b>A</b> NBR		•	•							
<b>B</b> Inorganic fiber	•			•						
<b>Breather hole</b> S Without breather hole	F With breather hole									
<b>Version</b> S Standard	F With anti-splash feature									
<b>A</b> With dipstick	L With labyrinth filter									
										<b>Execution</b> P01 MP Filtri standard
										Pxx Customized



Connections	ØD [mm]	A/F [mm]	H [mm]	H1 [mm]	ØJ [mm]	K [mm]	L [mm]
<b>G13</b>	20	17	8.5	7.5	-	-	205
<b>G16</b>	22	18	9.5	8.5	13.5	32	206
<b>G20</b>	28	22	9.5	9.5	17.5	33	207
<b>G26</b>	35	27	10.5	10.5	23.5	34	208
<b>G33</b>	42	34	10.5	10.5	29.5	36	201
<b>G42</b>	52	42	11	11	38	38	201
<b>G48</b>	58	47	11	11	38	36	201
<b>G60</b>	74	64	18	18	-	-	198

# TSD GENERAL INFORMATION

## Technical data

### Filler / draining plugs

#### Polyamide filler plug

TSD is a range of polyamide compact air breathers and filler plugs for protection of the tank against the solid contamination contained into the air and filling of the fluid into the systems during the commissioning and maintenance procedures.

They are directly fitted on the tank.

#### Available features:

- Male threaded connections up to G 1 1/2"
- Metal filtration, to hold the coarse contamination contained into the air
- Caps with different graphics and colours, for the use in several applications
- Dipstick, to monitor the fluid level into the tank even in complicated positions
- Antisplash, to avoid fluid coming out through the air breather due to sloshing

#### Common applications:

- Hydraulic systems
- Mobile machines
- Industrial equipment

#### Materials

- Body: Polyamide
- Cover: Polyamide
- Seal: NBR
- Filter: Galvanized steel
- Anti-splash feature: Polyamide
- Dipstick: Phosphatized steel

#### Temperature

From -25 °C to +100 °C

#### Weight

TSDG16	15 g
TSDG20	25 g
TSDG26	28 g
TSDG33	60 g
TSDG42	69 g
TSDG48	74 g

#### Quantity

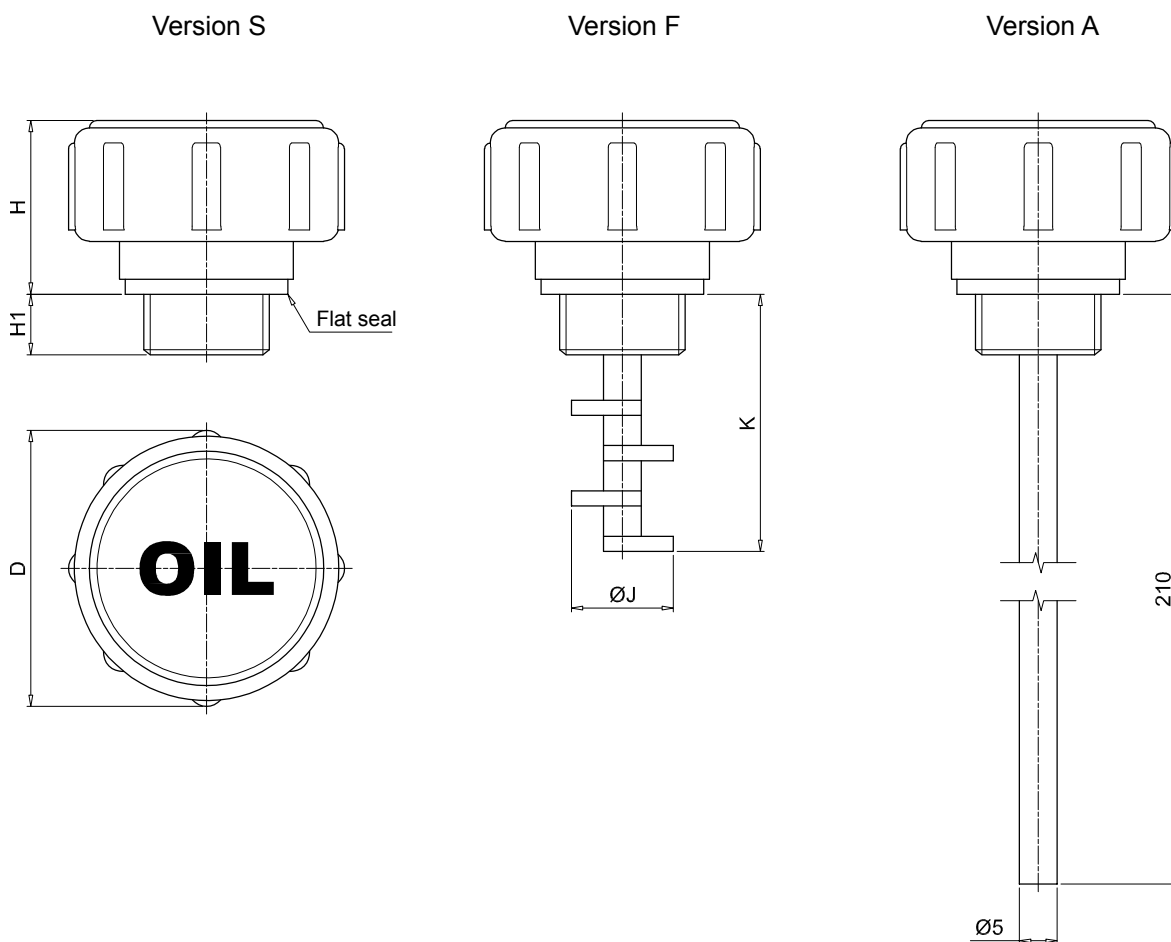
25 pcs/package



## Designation & Ordering code

### COMPLETE FILLER PLUG

Series	Configuration example :							TSD	G26	R	G	A	F	S	PO1
<b>TSD</b>															
<b>Connections</b>															
<b>G16</b>	G 3/8"	<b>G33</b>	G 1"												
<b>G20</b>	G 1/2"	<b>G42</b>	G 1 1/4"												
<b>G26</b>	G 3/4"	<b>G48</b>	G 1 1/2"												
<b>Cover colour</b>															
<b>R</b>	Red	<b>Y</b>	Yellow												
<b>Cover wording</b>															
<b>O</b>	Oil														
<b>N</b>	Neutral														
<b>G</b>	Gasoil														
<b>Seals</b>															
<b>A</b>	NBR														
<b>Filter element</b>	Cover wording														
<b>O</b>	Without filter element	•	•	•											
<b>A</b>	Steel filter element	•	•												
<b>Version</b>															
<b>S</b>	Standard														
<b>A</b>	With dipstick														
<b>F</b>	With anti-splash feature														
														<b>Execution</b>	
														<b>P01</b>	MP Filtri standard
														<b>Pxx</b>	Customized



Connections	ØD [mm]	H [mm]	H1 [mm]	ØJ [mm]	K [mm]
<b>G16</b>	36.5	23	8	13.5	34
<b>G20</b>	40.5	23	9	17.5	34
<b>G26</b>	46.5	23	10	23.5	35
<b>G33</b>	52.5	24	11	29.5	42
<b>G42</b>	67.5	31.5	12	38	45
<b>G48</b>	67.5	31.5	11	38	45

## Technical data

### Filler / draining plugs

#### Aluminium drain plug

TKM is a range of aluminium compact plugs for draining of the fluid from the systems during the commissioning and maintenance procedures. They are directly fitted on the bottom of the tank. The integrated magnet holds the ferrous contamination.

#### Available features:

- Male threaded connections up to G 1"

#### Common applications:

- Hydraulic systems  
- Mobile machines  
- Industrial equipment

#### Materials

- Body: Aluminium avec insert magnétique  
- Seal: Inorganic fibre

#### Temperature

From -25 °C to +100 °C

#### Weight

TKMG13 14 g  
TKMG16 23 g  
TKMG20 42 g  
TKMG26 95 g  
TKMG33 98 g

#### Quantity

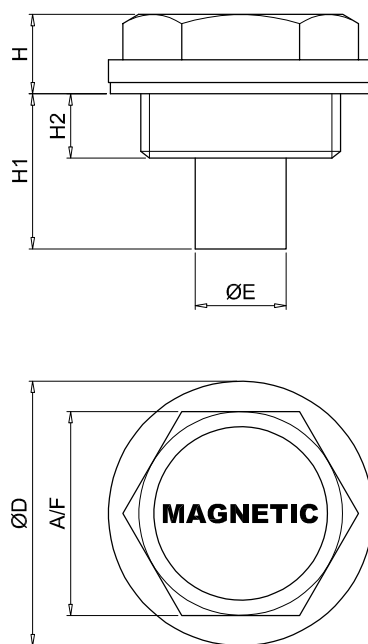
25 pcs/pack



## Designation & Ordering code

### COMPLETE DRAIN PLUG

Series	Configuration example :			
<b>TKM</b>	TKM	G20	B	P01
Connections				
<b>G13</b> G 1/4"				
<b>G16</b> G 3/8"				
<b>G20</b> G 1/2"				
<b>G26</b> G 3/4"				
<b>G33</b> G 1"				
Seals				
<b>B</b> Inorganic fiber				
				Execution
				<b>P01</b> MP Filtri standard
				<b>Pxx</b> Customized



Connections	ØD [mm]	A/F [mm]	ØE [mm]	H [mm]	H1 [mm]	H2 [mm]
<b>G13</b>	19	15	9.5	6	11.5	5.5
<b>G16</b>	22	18	8	9.5	13.5	7.5
<b>G20</b>	28	22	10	9.5	15.5	7.5
<b>G26</b>	35	27	12	10.5	20.5	8.5
<b>G33</b>	42	34	25	13	30.5	10.5