



PASSION T  PERFORM

PRODUCT RANGE

PASSION CREATES OUR HISTORY

From more than **60** years MP Filtri is an Italian multinational company specialising in the hydraulic sector, founded by Bruno Pasotto.

Most of the production is carried out in Italy. It currently has **9** trading and operational subsidiaries in Germany, France, United Kingdom, the United States, Canada, India, China, Singapore and UAE and a global network of retailers and distributors in over **100 countries**.

More than **500** highly qualified people are employed across the world. There are two production facilities in Italy and one in United Kingdom and the United States. The biggest portion of our production satisfies the needs of international customers, while the remaining goes to Italian market.



5



HYDRAULIC
FILTRATION

PRODUCT LINES PF

CONSTANT RESEARCH

Renowned for Innovation and Flexibility, MP Filtri has, since launch, paid obsessive attention to the **research and development of cutting-edge technological solutions**. It's research and development laboratory is considered one of the best in Europe.

CONTINUOUS DEVELOPMENT

The sectors that MP Filtri's products are aimed at range from industrial to mobile operating machines, such as earthmoving machinery, wind turbine generators and machinery for the plastic industry made by the most prestigious global manufacturers.



TANK
ACCESSORIES



CONTAMINATION
CONTROL
SOLUTIONS



MOBILE
FILTRATION
UNITS



POWER
TRANSMISSION

PRODUCT LINES PRODUCT LINES PRODUCT LINES

HYDRAULIC FILTRATION PRODUCT RANGE



RETURN FILTERS

FLOW RATES max 3500 l/min (925 gpm)
PRESSURE max 20 bar (290 psi)

Return filters perform the task of filtering fluid and preventing particles from entering the system externally or from internal wear and tear of components.



SUCTION FILTERS AND STRAINERS

FLOW RATES max 1000 l/min (264 gpm)

Suction filters and Strainers protect pumps from contamination, while also providing additional flow diffusion in the suction line.



RETURN/SUCTION FILTERS

FLOW RATES max 250 l/min (66 gpm)
PRESSURE max 80 bar (1160 psi)

Hydraulic combined filters for installation on the return and suction lines of hydrostatic transmissions (HSTs) for commercial vehicles, construction machinery, agricultural vehicles, and mobile work equipment with a hydrostatic drive.



SPIN-ON FILTERS

FLOW RATES max 365 l/min (96 gpm) - **PRESSURE** max 35 bar (508 psi)

Spin-on filters are used as process and safety filters to protect individual pumps, valves or the entire hydraulic circuit from contamination.



HIGH PRESSURE FILTERS

FLOW RATES max 630 l/min (166 gpm) - **PRESSURE** max 560 bar (8122 psi)

High pressure filters are designed to withstand the maximum pressure of the system and are sized according to the specific flow rate required. They offer exceptional protection to sensitive components downstream of the filters.



LOW & MEDIUM PRESSURE FILTERS

FLOW RATES max 4500 l/min (1189 gpm)
PRESSURE max 1160 psi (80 bar)

Low and medium pressure filters are used as process filters to protect pumps, pressure reducers and the most sensitive hydraulic system components from contamination.



STAINLESS STEEL FILTERS

FLOW RATES max 160 l/min (42 gpm) - PRESSURE max 1000 bar (14,500 psi)

Stainless steel construction ensures peak protection when operating in corrosive environments or aggressive fluids. High pressure stainless steel filters are used to protect individual valves or the entire hydraulic circuit from contamination.



FILTERS FOR POTENTIALLY EXPLOSIVE ATMOSPHERE

FLOW RATES max 160 l/min (42 gpm)
PRESSURE max 1000 bar (14,500 psi)

MP Filtri knows how to manage it thanks to our ATEX CERTIFIED PRODUCTS
Standard ATEX Directive 2014/34/EU
and UK Regulation S.I. 2016 No. 1107 (as amended).



CLOGGING INDICATORS

Maximum filter element Dirt Holding Capacity (DHC) and life are achieved with the use of clogging indicators. These devices signal when the clogging causes an increase in pressure drop across the filter element.

FILTER ELEMENTS

DIFFERENT OPTIONS OF FILTER ELEMENTS WITH THE MYCLEAN AND ZERO SPARK® CONCEPTS

Wide range of filter elements in various filtration grades for all MP Filtri filters and as market interchanges.



THE X CONCEPT FOR OUR FILTERS



THE Z ANTISTATIC CONCEPT FOR OUR FILTERS



CONTAMINATION CONTROL SOLUTIONS



CONTAMINATION MONITORS

Portable solutions to automatically measure and display particulate contamination, moisture and temperature levels in a variety of hydraulic fluids.



INLINE CONTAMINATION MONITORS

A complete range of products to count particles, designed specifically to be mounted directly to systems, where ongoing measurement or analysis are required.



SAMPLING ANALYSIS KIT

Kit for fluid sampling and the visual and digital analysis of solid contaminants. The bottle samplers are suitable for our portable devices.



MOBILE FILTRATION UNITS

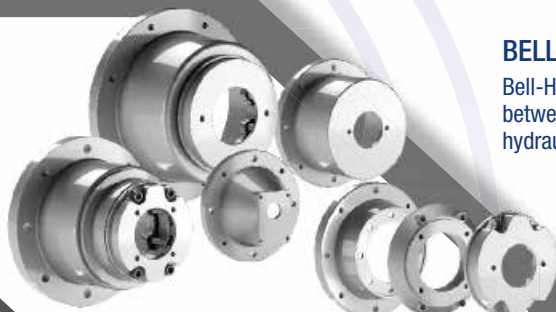
FLOW RATES max 180 l/min (48 gpm)

Mobile transfer and filtration units are the perfect solution for the oil maintenance of lubrication and hydraulic fluids in off-line filtration applications.

POWER TRANSMISSION PRODUCT RANGE

BELL-HOUSING

Bell-Housings are used as connecting elements between IEC electric motors and a wide range of hydraulic pumps available on the international market.



COUPLINGS

Drive couplings provide the means by which power is transmitted from the electric motor to the hydraulic pump.

AKG complete couplings are certified: ATEX 2014/34/EU & U.K. Regulation S.I. 2016 No. 1107 (as amended)



ACCESSORIES

Our accessories line completes the range, adding value and features to the motor pump unit. It includes by Foot brackets - PDMA, Damping rings ANMA and Damping rods - MPDR, Cleaning covers.

TANK ACCESSORIES

The complete range of tank accessories for hydraulic circuits comprises breather filters, filler and breather filters, filler caps, visual and electrical level indicators, pressure gauges selectors, flanges for fixing the oil tubes on the tank cover and inspection doors.

Filler and breather filters have a dual function at the tank inlet in the filtration of the incoming air and the pre-filtration of the fluid through the basket, in order to prevent the entry of foreign bodies during the filling or refilling operations.

- Strainers
- Air breathers and filler plugs
- Filler and drainer plugs
- Visual oil level indicators
- Electrical oil level indicators
- Accessories



WORLDWIDE NETWORK

CANADA ♦ CHINA ♦ FRANCE ♦ GERMANY ♦ INDIA ♦ SINGAPORE
UNITED ARAB EMIRATES ♦ UNITED KINGDOM ♦ USA



PASSION  PERFORM

in   



mpfiltri.com

MP Filtri reserves the right to make modifications to the models and versions of the described products at any time for both technical and/or commercial reasons. For updated information please visit our website: www.mpfiltri.com. The colors and the pictures of the products are purely indicative. Any reproduction, partial or total, of this document is strictly forbidden. All rights are strictly reserved.

MF002000123
EN - 2024.02